

Band Brakes



Knott's line of band brakes are designed to provide you with a cost effective braking solution. With a wide range of sizes and applications we are certain that you will find one to suit your needs. Our rigorous quality assurance procedures and new manufacturing facility will ensure that you receive the quality parts you need when you need them. Both single and double action band brakes available.



KNOTT
Brakes • Axles 

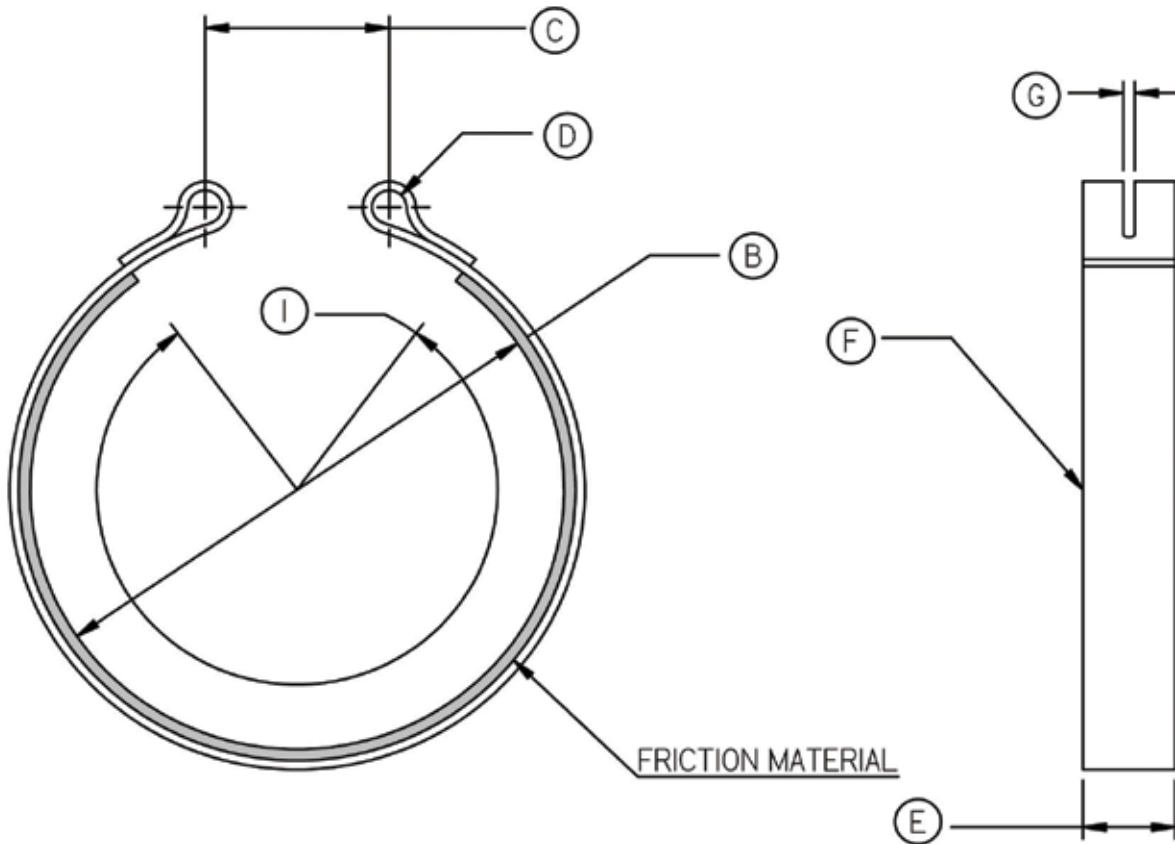
We Make The Brake

144 West Drive • Lodi, Ohio 44254
330.948.0144 • www.knottbrake.com

BAND BRAKE CATALOG—GENERAL REPRESENTATION

*Custom bands produced to your specifications upon request

All brake band linings are manufactured at our facility, using our own special product line.



All dimensions are in inches

LEGEND:

A. Band Part Number

B. Inside Diameter - inches

C. Loop-to-loop Center Distance - inches

D. Loop Diameter to fit pin - inches

E. Band Width - inches

F. Gauge of Steel Band

G. Slot Width - inches

H. Actuation Force Required - lbs.

I. Wrap Angle - degrees

J. Torque - lb. in.

K. Dynamic Coefficient of Friction

L. Static Coefficient of Friction

A	B	C	D	E	F	G	H	I	J	K	L
892605-020	2.50	1.50	0.375	0.75	16	0.13	150	270	1375	0.450	0.534
892816-010	3.06	1.70	0.312	0.62	16	0.156	150	270	1684	0.450	0.534
892524-010	4.19	1.75	0.375	1.00	16	Various	150	287	2679	0.450	0.534
892614-010	4.50	1.44	0.375	1.00	16	0.156	150	270	2476	0.450	0.534
892709-010	4.69	2.00	0.375	1.00	16	Various	150	287	2999	0.450	0.534
892612-020	4.75	1.30	0.375	0.75	16	0.25	150	287	3038	0.450	0.534
892642-010	5.78	1.40	0.375	0.75	14	None	150	270	3180	0.450	0.534
892172-010	6.00	2.18	0.375	0.75	14	Various	150	287	3837	0.450	0.534
892429-030	6.00	0.15	0.545	1.25	14	None	150	270	3301	0.450	0.534
892013-010	10.25	1.52	0.375	1.50	14	None	150	300	7342	0.450	0.534

Calculations in the above table are for 250 friction material on a cast iron surface. Each application needs to be reviewed by Knott Brake Company. Actual conditions may be different.