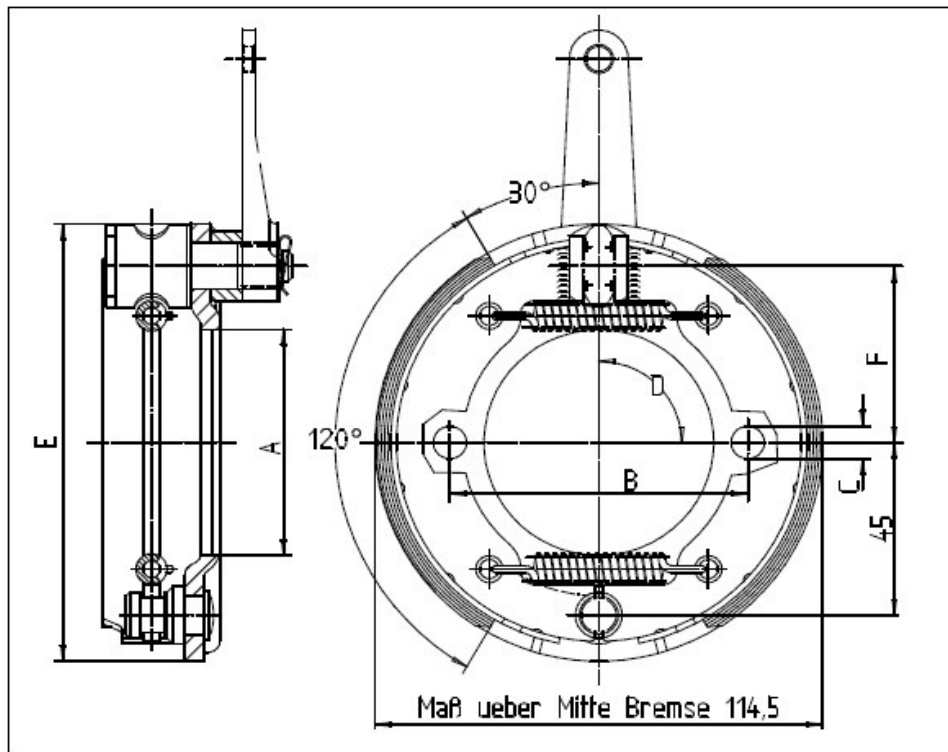


## Mechanical Cam Brake 115x25

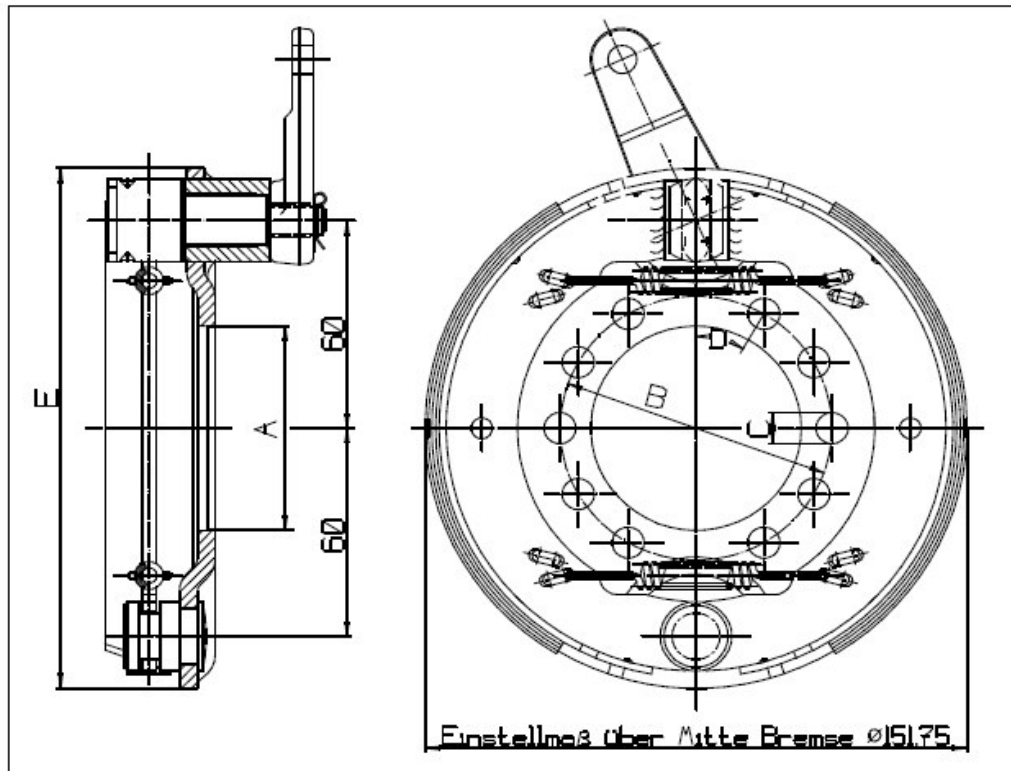


Special types  
on request

Drawing no.	lining-quality	A	B	C	number of holes	D	E	F	max. brake torque (Nm)	
100445	Cosid 131	45			0		133,2	45	300	
100546	PZ 8728	40	with welded in axiestub		0		133,2	45	300	
101274	Cosid 131	28	with brake drum		0		133,2	45	300	
101864	Cosid 131	58,8	80 / 76,2	8,5	4 / 2	60°	114	46	300	
102203	Cosid 131	58,8	76,2	8,5	2	90°	114	46	200	
33850-2	Cosid 131	58,8	76,2	8,5	2	90°	114	46	200	
34136	Energil 231	40			0		133,2	45	300	
34374	Cosid 131	28	with brake drum		0		133,2	45	300	
35678	Cosid 131	58,8	80 / 76,2	8,5	4 / 2	60°	114	46	300	
35975	Beral 1109	unassembled, wo backplate and wo drum							46	
35977	Cosid 131	28	28		0		133,2	45	300	
46623	Beral 1109	unassembled, wo backplate and wo drum								

# Mechanical Cam Brake

## 152.4x25

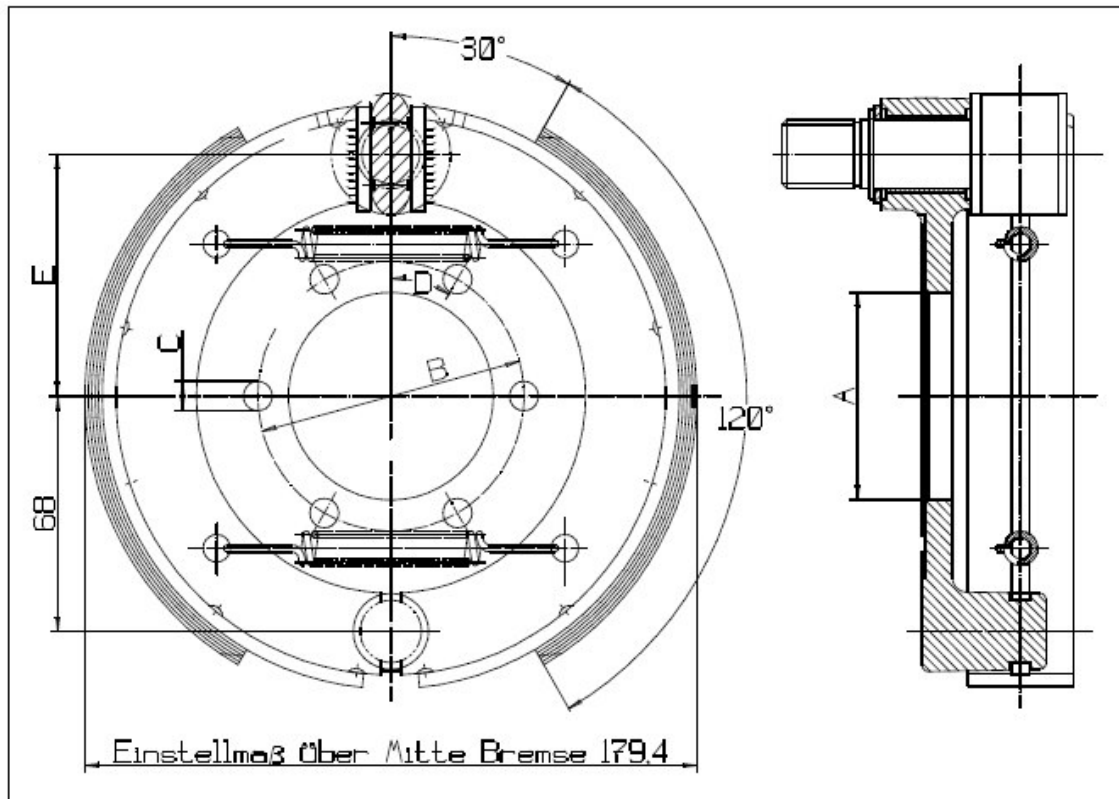


Special types  
on request

Drawing no.	lining-quality	A	B	C	number of holes	D	E	max. brake torque (Nm)
100267	Beral 1109	60,2	76,2	9	10	30°	150	
101805	Beral 1109	58,9	76,2	9	10	30°	150	
24639	Energil 554	58,9	76,2	9	10	30°	150	500
25142	Beral 1109	58,9	76,2	9	10	30°	150	
25320	Energil 554	58,9	76,2	9	10	30°	150	500
26256	Beral 1109	60,2	76,2	9	10	30°	150	500
34725	Beral 1109	60,6	76,2	9	10	30°	150	500
901109-010	Beral 1109	60,6	76,2	9	10	30°	150	

# Mechanical Cam Brake

## 180x30

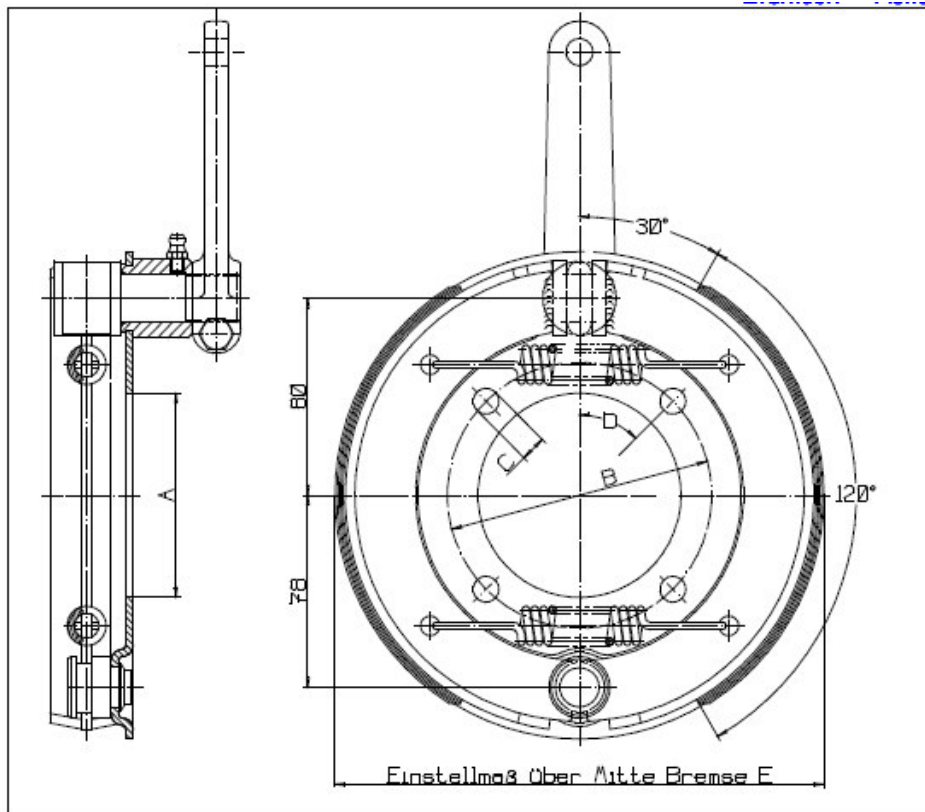


Special types  
on request

Drawing no.	Lining-quality	A	B	C	number of holes	D	E	max. brake torque (Nm)	
100989	Beral 1109	82,6	96	8,5	6	45°	70	750	
101009	Beral 1541	80	78	8,5	6	30°	70	800	
101958	Beral 1541	74	87,3	8,5	4	45°	70	850	
101989	Beral 1117	unassembled, w/o backplate and drum						70	900
24489	Energil 554	80	78	8,5	6	30°	70	750	
26386	Beral 1541	80	96	M10	6	45°	70	1500	
26477	Beral 1541	80	78	8,5	6	30°	70	800	
27074	Beral 1541	unassembled, w/o backplate and drum						88	900
27075	Beral 1541	unassembled, w/o backplate and drum						70	900

# Mechanical Cam Brake

## 200x30

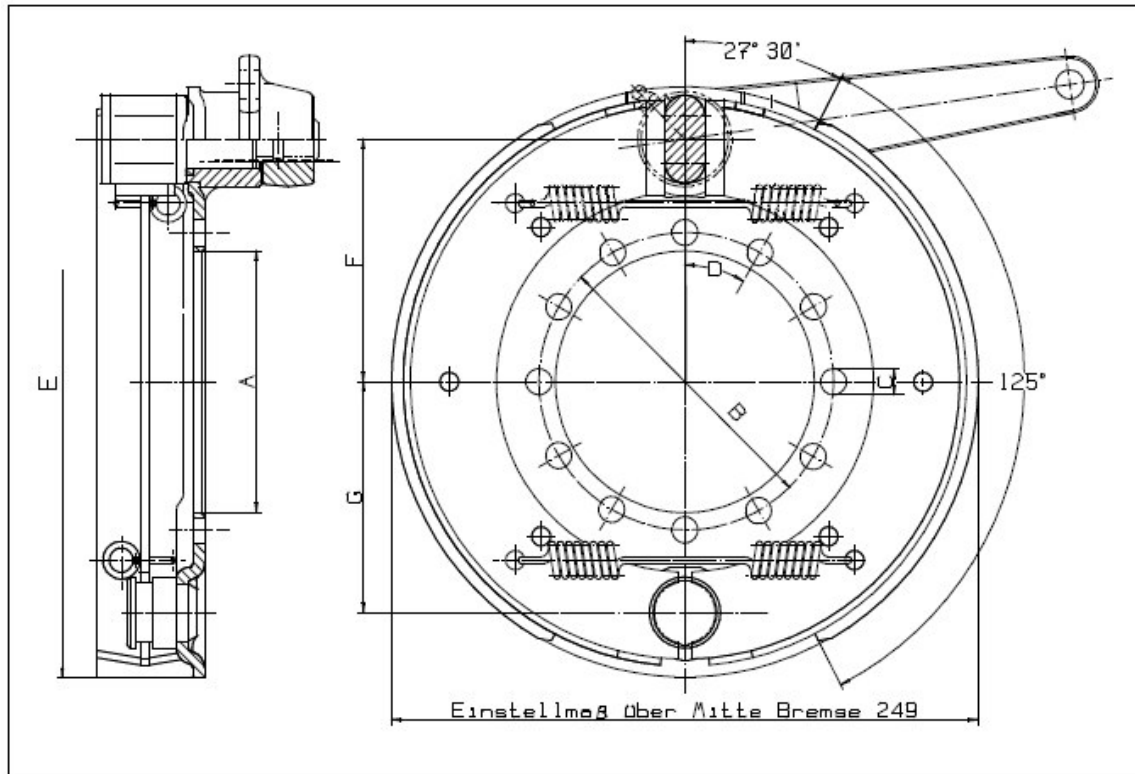


Special types  
on request

Drawing no.	lining-quality	A	B	C	number of holes	D	E	max. brake torque (Nm)
12782	Beral 1109			14	6		199,1	
24272	Beral 1109	83	108	10,5	4	45°	199	1200
24294	Beral 1109	83	108	10,5	4	45°	199	
24303	Beral 1109	83	108	10,5	4	45°	199	
24364	Beral 1109	75	90	9	4	45°	199,4	
24528	Beral 1109	83	108	10,5	4	45°	199	
24540	Beral 1117	83	108	10,5	4	45°	199	
24682	Beral 1109	83	108	10,5	4	45°	199,4	
25558	Beral 1109	83	108	10,5	4	45°	199,4	1200
25615	Beral 1109	120	155	10,5	4	30°	199	1200
27597	Beral 1109	86	108	10,5	4	45°	199,4	1200
101116	Beral 1109	82,6	108	10,5	4	45°	199,4	1200
101584	Beral 1109	85	155	15,5	6	50°	199	1200
102005	Beral 1109	83	108	10,5	4	45°	199,4	1200

# Mechanical Cam Brake

## 250x40

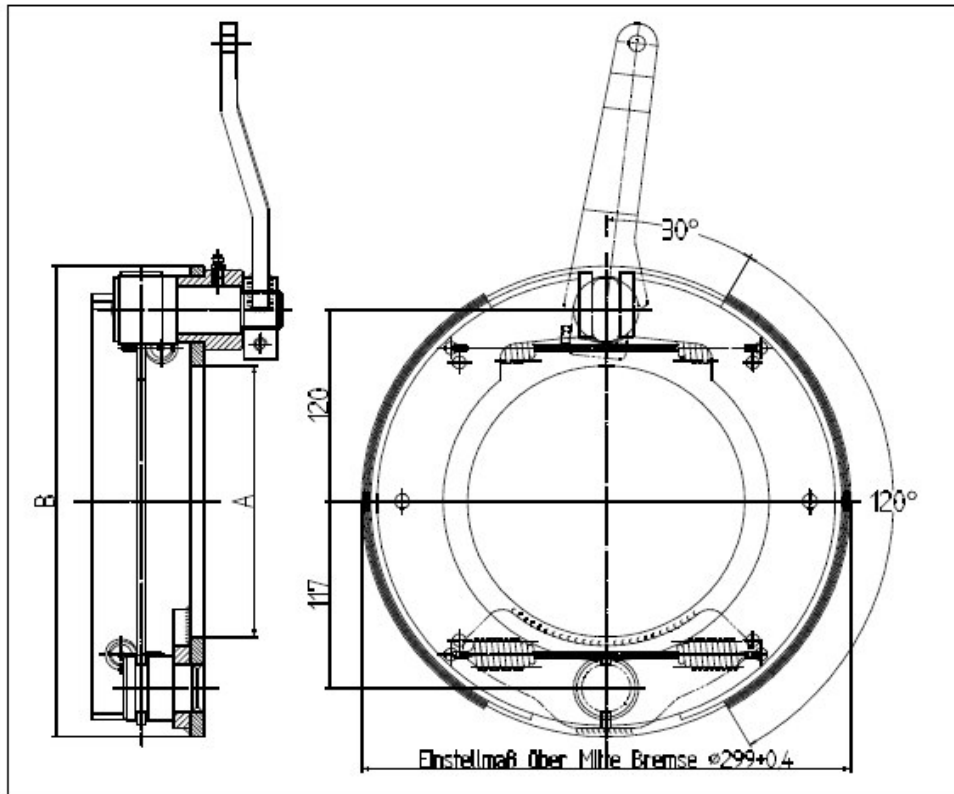


Special types  
on request

Drawing no.	lining-quality	A	B	C	number of holes	D	E	F	G	max. brake torque (Nm)	
100150	Energil 554	80	125	11	12	30°	248	102	97	2400	
100773	Bremsleiri 6845	110	130	8,5	6	60°	280	105	97		
21829	Beral 1541	unassembled, w/o baciplate							105	95	
24490	Bremsleiri 6845	106	130	130	6	60°		105	97		
24980	Energil 554	110	125	125	12	30°	248	102	97	1700	
25035	Energil 554	80	125	125	12	30°	248	102	97	1700	
25036	Energil 554	80	125	125	12	30°	248	102	97	1700	
25086	Energil 554	102,4			4		48	102	97	1700	
25126	Energil 554	80	125	125	12	30°	248	102	97	1700	
25274	Energil 554	110	125	125	12	30°	248	102	97	1700	
25902	Energil 554	unassembled, w/o baciplate						248	102	97	1700

# Mechanical Cam Brake

## 300x60

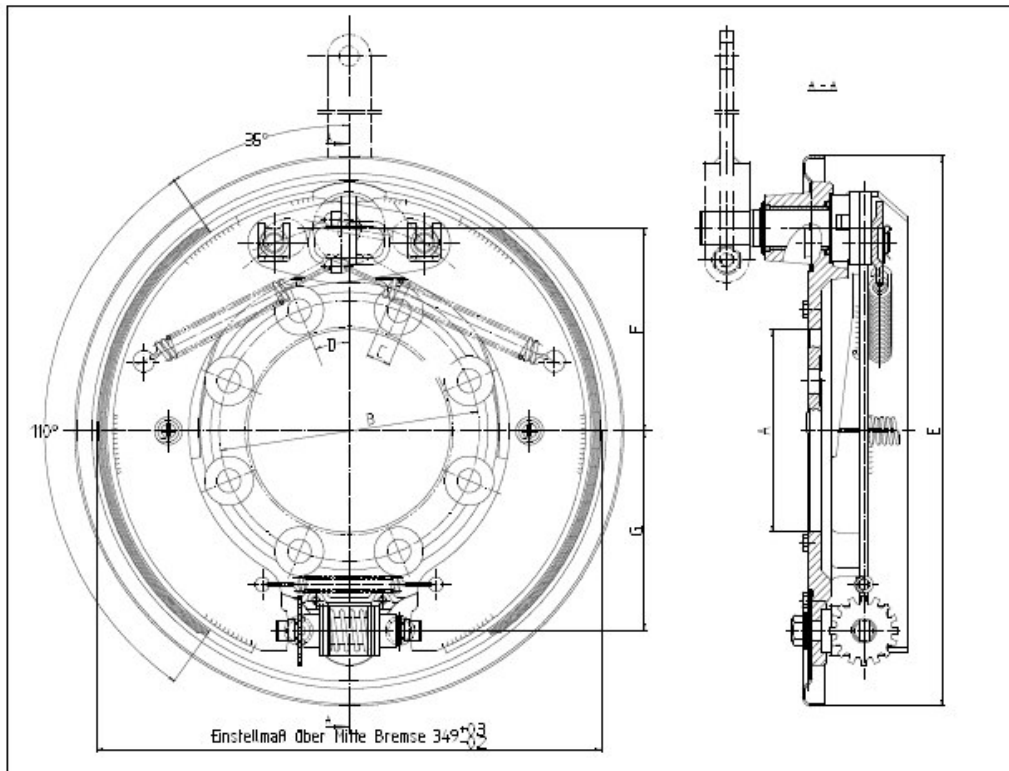


Special types  
on request

Drawing no.	lining-quality	A	B	number of holes	max. brake torque (Nm)
12683	Beral 1109	180	295	0	3500
100426	Beral 1109	170	295	0	3500

# Mechanical Cam Brake

## 350x60

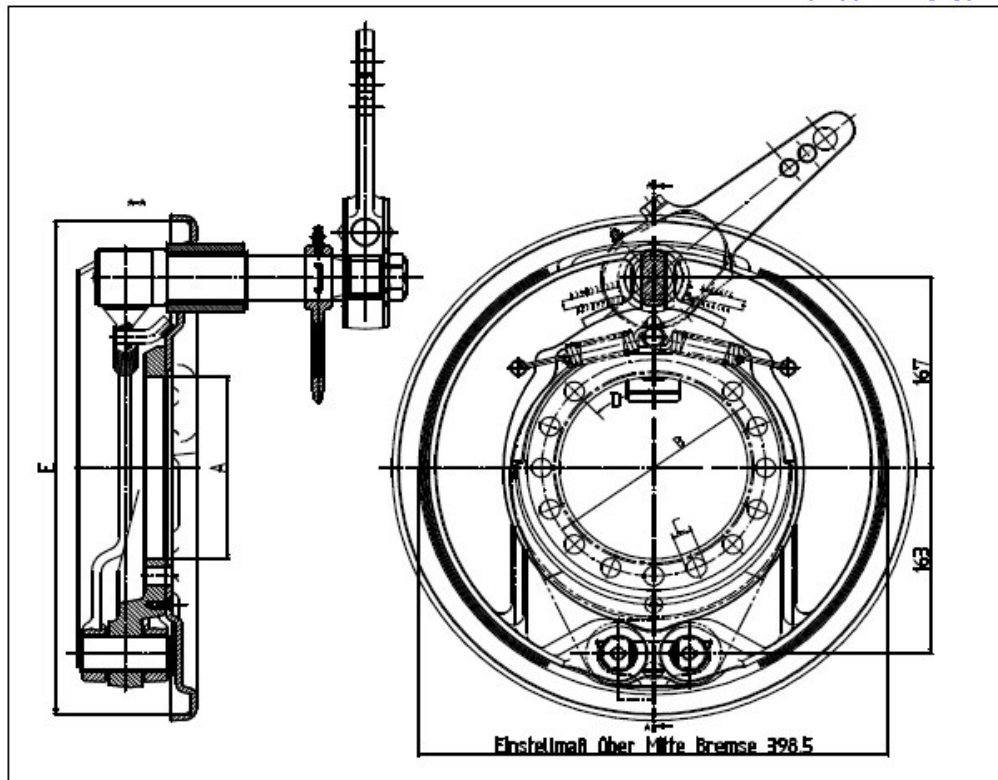


Special types  
on request

Drawing no.	lining-quality	A	B	C	number of holes	D	E	F	G	max. brake torque (Nm)
12319	Ferodo i/L 401	200	230	16,5	6	35°	394	137	130	3500 / 6600
12385	Beral 1109	200	230	16,5	6	35°	394	137	130	3500 / 6600
13600	Bremskerl 6800	140	180	16,5	8	22,5°	380	140	138	7500
13935	Beral 1518	160	185	16,5	8	22,5°	380	140	138	7500
14151	Beral 1518	200	200	16,5	6	45°	380	140	138	7500
101914	Beral 1548	115			0		348	137	130	6000

# Mechanical Cam Brake

## 400x80

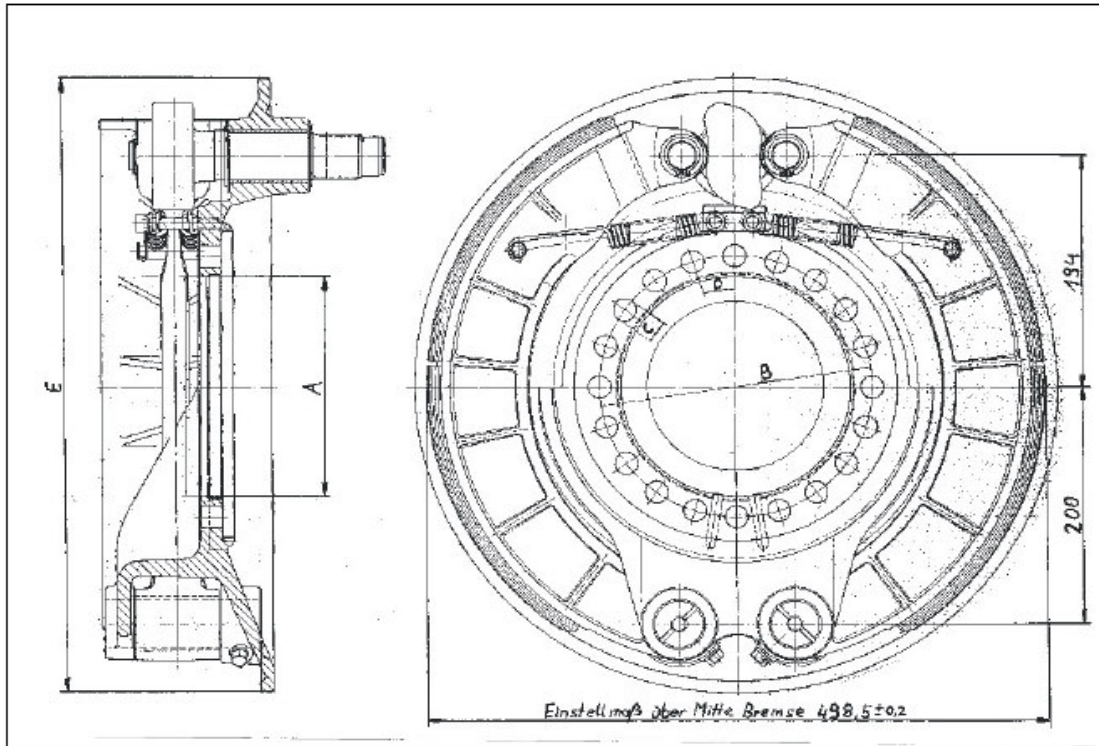


Special types  
on request

Drawing no.	lining-quality	A	B	C	number of holes	D	E	max. brake torque (Nm)
12755	Ferodo 7L 401	160	190	16,75	13	45°	432	12 000
100693	Ferodo 7L 401	160	190	16,75	13	45°	432	12 000
100694	Ferodo 7L 401	160	190	16,75	13	45°	432	12 000

# Mechanical Cam Brake

## 500x120



Special types  
on request

Drawing no.	Lining-quality	A	B	C	number of holes	D	E	max. brake torque (Nm)
12375	Jurid 536	190	220	18,75	20	18°	520	
12751	Beral 1109	280	340	20,5	10	32,5°	520	16 000 / 24 000