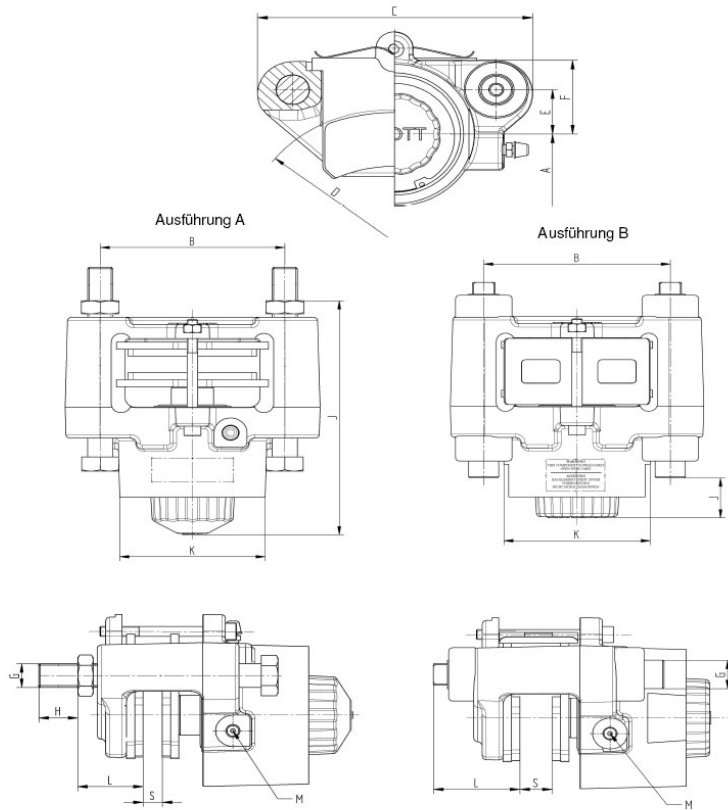


FSG 88 SAHR Disc Brake

144 West Drive • Lodi, Ohio 44254-1062

Tel 330-948-0144 Fax 330-948-9222



data for the spring applied hydro released sliding caliper

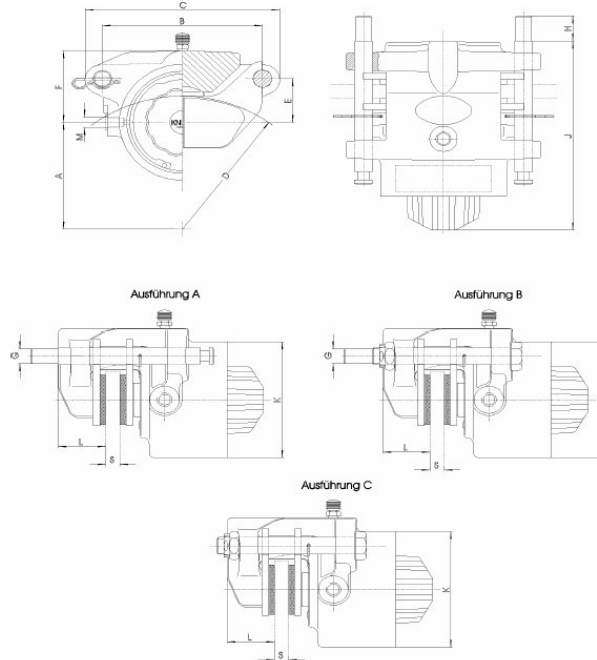
perm. pressure range: $P_{abs} = 200$ mbar up to $P_e = 210$ bar
 perm. temperature range: -40°C up to 120°C
 brake fluid: (B) for brake fluid ref. DOT3 u. 4 or SAE J1703
 (M) for mineral oil ref. DIN 51524 and HD-Oil or STOU-Oil
 brake lining: (B) Beral 3611
 (S) sinter

special types:
on request

art.no.	typ.	max. tangential force [N] with clearance 1,0	clearance	disc			brake fluid	A	B	C	E	F	G	H	J	K	L	M	req. min. release pressure (bar)
				Dmax. (mm)	Dmin (mm)	"S" (mm)													
100986	A	25160	1.0	600	250	13	M	D/2-12,7	139.70	172.00	31.70	80.00	3/4-10 UNC	29.00	194.00	108.00	46.00	M10x1	100
102129.01/.02	B	25160	1.0	600	250	22	M	D/2-12,7	139.70	172.00	31.70	80.00	M20x1,5	--	42.00	108.00	46.00	M10x1	100

FSG 90 / FSG 110

SAHR Disc Brake



data for spring applied hydraulic released disc brake

perm. pressure range: $P_{abs} = 200$ mbar up to $P_e = 210$ bar
 perm. temperature range: -40°C up to 120°C
 brake fluid: (B) brake fluid DOT3 u. 4 or SAE J1703
 (M) mineral oil DIN 51524 and HD-Oil or STOU-Oil
 brake lining: *Beral 3611* or sinter

Special types:

- with brake carrier
- automatic adjuster
- salt water resistant

	art.no.	typ.	max. tangential force [N] for clearance 1,0	clearance (mm)	disc			brake fluid	A	B	C	E	F	G	H	J	K	L	M	req. min. release pressure (bar)
					Dmax. (mm)	Dmin (mm)	"S" (mm)													
FSG 90	14038	C	25160	1.0	600	250	13	M	D/2-25,4	139.70	170.00	41.40	68.00	--	--	179.00	110.00	41.50	M10x1	100
	14117	B	25160	1.0	600	250	13	M	D/2-25,4	139.70	170.00	41.40	68.00	14f7	24.00	179.00	110.00	41.50	M10x1	100
	14145	C	25160	1.0	600	250	13	M	D/2-25,4	139.70	170.00	41.40	68.00	--	--	179.00	110.00	41.50	7/16-20 UNF	100
	14245	A	25160	1.0	600	250	13	M	D/2-25,4	139.70	170.00	41.40	68.00	14f7	24.00	179.00	110.00	41.50	M10x1	100
	14365	C	19300	1.0	600	250	13	M	D/2-25,4	139.70	170.00	41.40	68.00	--	--	179.00	110.00	41.50	7/16-20 UNF	80
	101351	A	28270	0.5	600	250	38	M	D/2-25,4	139.70	170.00	41.40	68.00	14f7	12.00	234.00	110.00	41.50	M10x1	100
	101568	B	25160	1.0	600	250	13	M	D/2-25,4	139.70	170.00	41.40	68.00	--	--	179.00	110.00	41.50	7/16-20 UNF	100
	101806	C	25160	1.0	600	250	13	M	D/2-25,4	139.70	170.00	41.40	68.00	--	--	179.00	110.00	41.50	M10x1	100
	102123	A	25160	1.0	600	250	13	M	D/2-25,4	139.70	170.00	41.40	68.00	14f7	24.00	179.00	110.00	41.50	M10x1	100
	FSG 110	14053	C	33300	2.0	600	250	13	M	D/2-25,4	139.70	170.00	41.40	68.00	--	--	223.00	140.00	44.00	M10x1
14260		A	33300	2.0	600	250	13	M	D/2-25,4	139.70	170.00	41.40	68.00	14f7	24.00	223.00	140.00	44.00	M12x1,5	85
14252		C	33300	2.0	600	250	13	M	D/2-25,4	139.70	170.00	41.40	68.00	--	--	223.00	140.00	44.00	7/16-20 UNF	85
14399		C	33300	2.0	600	250	13	M	D/2-25,4	139.70	170.00	41.40	68.00	--	--	223.00	140.00	44.00	M12x1,5	85
100840		A	33300	2.0	600	250	13	B	D/2-25,4	139.70	170.00	41.40	68.00	14f7	24.00	223.00	140.00	44.00	M10x1	85
101591.01/.02		A	33300	2.0	600	250	13	M	D/2-25,5	139.70	170.00	41.40	68.00	16	--	223.00	140.00	44.00	M12x1,5	85
101731.01/.02		C	45880	1.0	600	250	13	M	D/2-25,5	139.70	170.00	41.40	68.00	--	--	223.00	140.00	44.00	7/16-20 UNF	100
101742		A	33300	2.0	600	250	13	B	D/2-25,5	139.70	170.00	41.40	68.00	14f7	--	223.00	140.00	44.00	M10x1	85