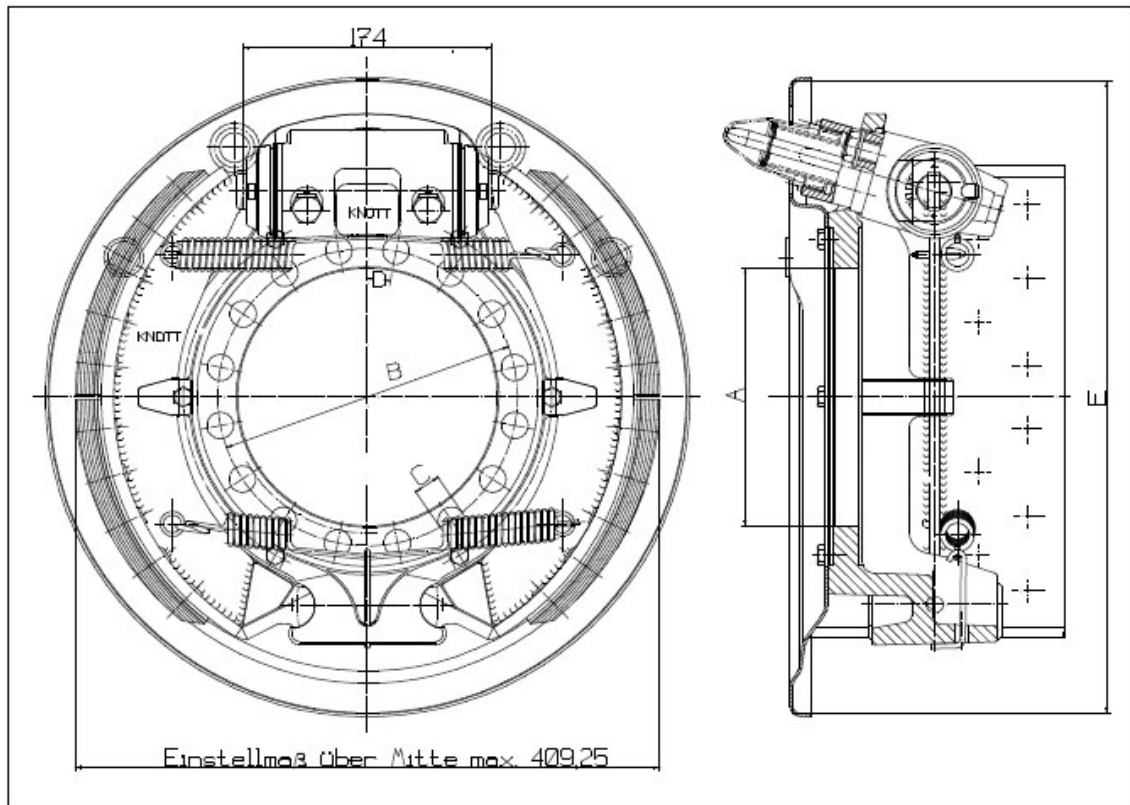


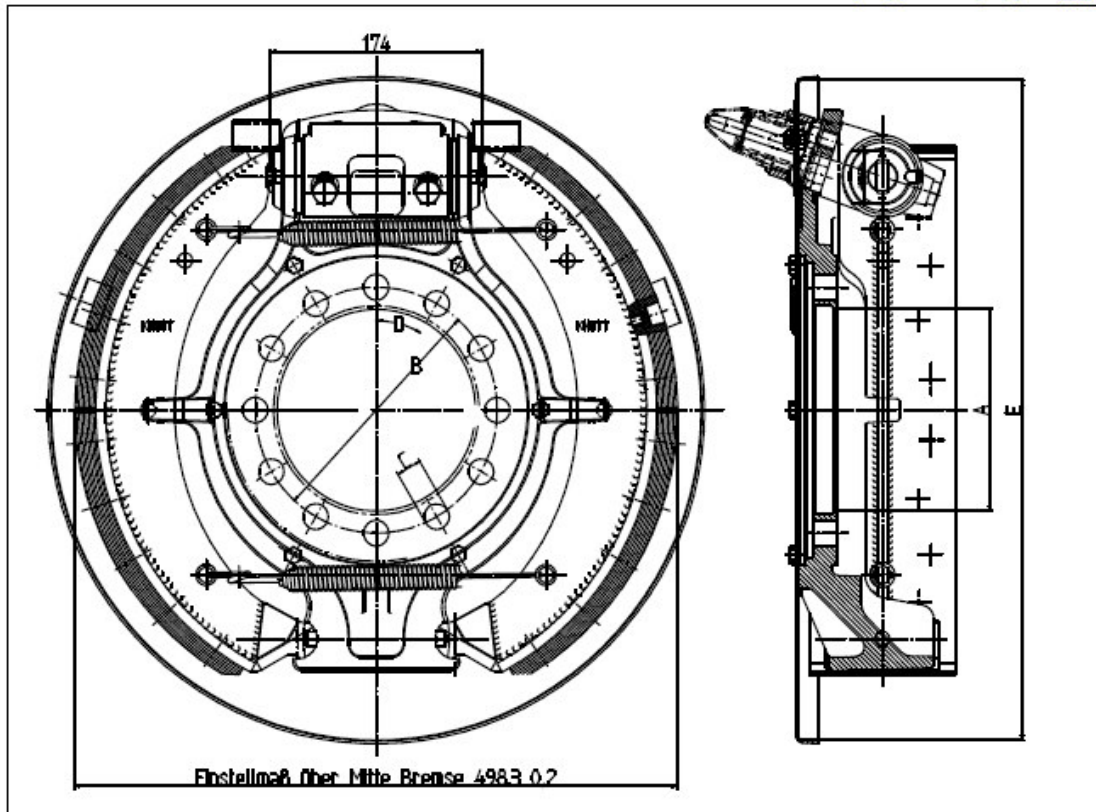
Wedge Brake Simplex, 410x180



Special types
on request

Drawing no.	Lining-quality	A	B	C	number of holes	D	E	max. brake torque (Nm)
0182.01	Bremskerl 6275	182	210	18,25	16	11"15'	446	20 000
0182.02	Beral 1549	182	210	18,25	16	11"15'	446	20 000
100696.01	Beral 1549	182	210	18,25	16	11"15'	446	20 000
100696.02	Bremskerl 6275	182	210	18,25	16	11"15'	446	20 000

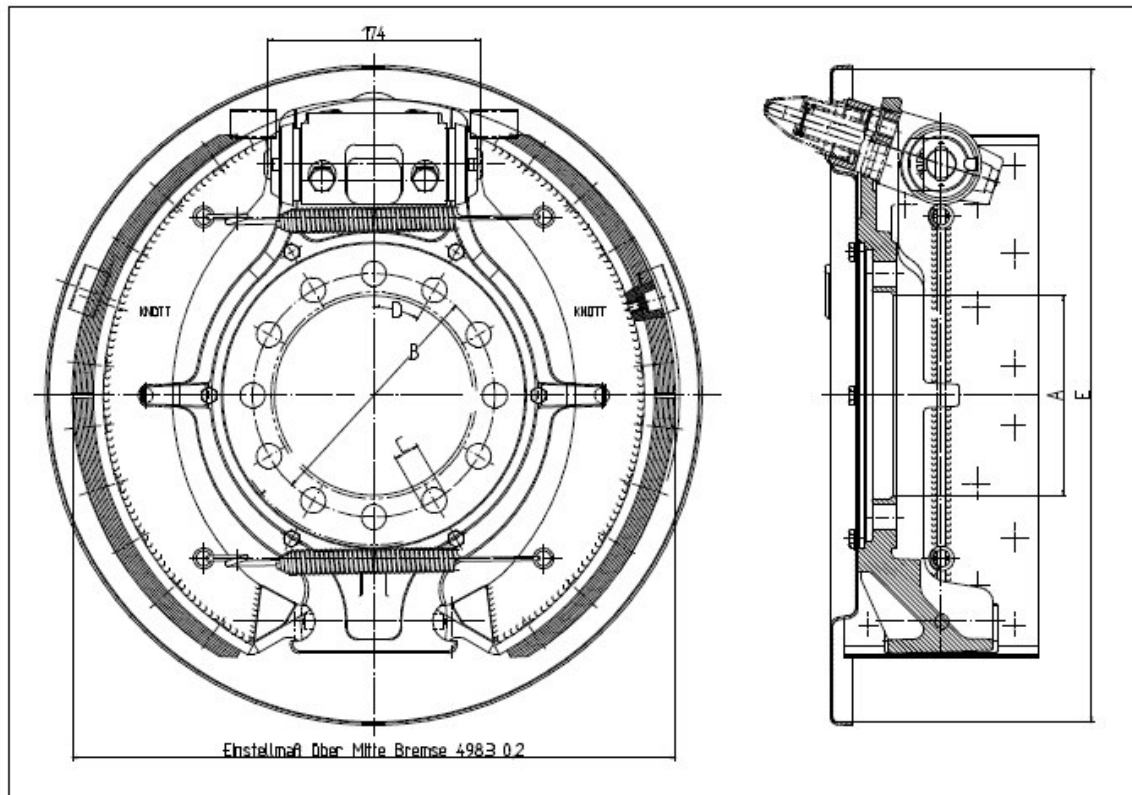
Wedge Brake, Simplex, 500x120



Special types
on request

Drawing no.	lining-quality	A	B	C	number of holes	D	E	max. brake torque (Nm)
046	Bremskerl 6275	176	215	22,25	16	11°15'	537	30 000
0100	Bremskerl 6275	179	210	18,25	16	22°30'	537	20 000
0108	Jurd 546	184	200	20,75	12	15°	537	20 000
0193.01	Bremskerl 6275	179	210	18,25	16	22°30'	537	20 000
0193.02	Beral 1549	179	210	18,25	16	22°30'	537	20 000
100366	Bremskerl 6275	176	215	22,25	16	11°15'	537	30 000
101363.01	Bremskerl 6275	184	200	20,75	12	30°	537	30 000
101363.02	Beral 1549	184	200	20,75	12	30°	537	30 000

Wedge Brake Simplex, 500x180



Special types
on request

Drawing no.	lining-quality	A	B	C	number of holes	D	E	max. brake torque (Nm)
097	Bremskerl 6275	179	210	18,25	16	22°30'	537	25 000
0109	Jurid 546	164	200	20,75	12	15°	537	20 000
0145	Bremskerl 6275	171,5	209,5	18,8	14	22°15'	537	30 000
0194.01	Bremskerl 6275	179	210	18,25	16	22°15'	537	25 000
0194.02	Beral 1549	179	210	18,25	16	22°15'	537	25 000
101384.01	Bremskerl 6275	164	200	20,75	12	30°	537	30 000
101384.02	Beral 1549	164	200	20,75	12	30°	537	30 000